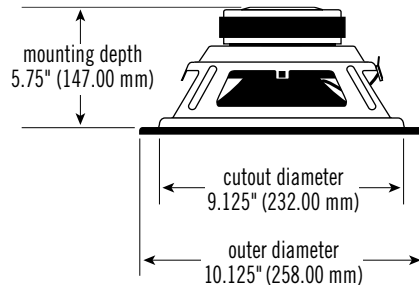


## SPECIFICATIONS

DIAMETER:	10" (254.0 mm)
SENSITIVITY (2.83 V @ 1 m):	90 dB
POWER HANDLING:	250 W <sub>RMS</sub> (1,000 W <sub>PEAK</sub> )
FREQUENCY RESPONSE:	28 ~ 500 Hz
NOMINAL IMPEDANCE:	4 OHMS
VOICE-COIL DIAMETER:	2.0" (50.8 mm)

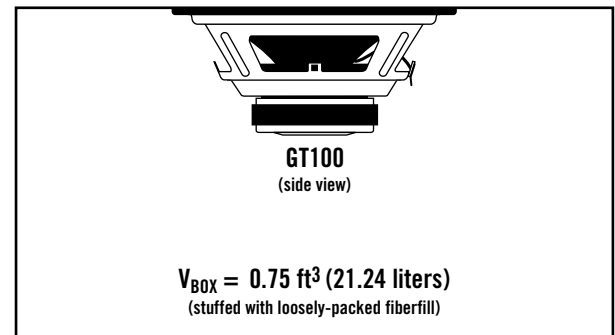
### DIMENSIONS:



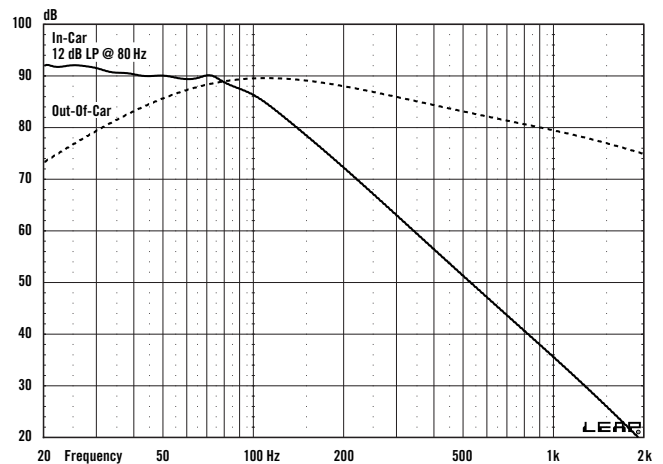
## THIELE-SMALL PARAMETERS

VOICE COIL DC RESISTANCE:	$R_{EVC}$ (OHMS) . . . . .	3.63
VOICE COIL INDUCTANCE @ 1 kHz:	$L_{EVC}$ (MH) . . . . .	2.68
DRIVER RADIATING AREA:	$S_D$ (IN <sup>2</sup> ) . . . . .	53.63
	$S_D$ (CM <sup>2</sup> ) . . . . .	346.00
MOTOR FORCE FACTOR:	$BL$ (TM) . . . . .	14.30
COMPLIANCE VOLUME:	$V_{AS}$ (FT <sup>3</sup> ) . . . . .	1.27
	$V_{AS}$ (LITERS) . . . . .	36.10
SUSPENSION COMPLIANCE:	$C_{MS}$ (µM/N) . . . . .	212.35
MOVING MASS, AIR LOAD:	$M_{MS}$ (GRAMS) . . . . .	136.18
MOVING MASS, DIAPHRAGM:	$M_{MD}$ (GRAMS) . . . . .	132.48
FREE-AIR RESONANCE:	$F_S$ (HZ) . . . . .	29.60
MECHANICAL Q:	$Q_{MS}$ . . . . .	6.45
	$Q_{ES}$ . . . . .	0.45
ELECTRICAL Q:	$Q_{TS}$ . . . . .	0.42
TOTAL Q:	$Q_{TS}$ . . . . .	0.42
	$Q_{ES}$ . . . . .	0.45
MAGNETIC-GAP HEIGHT:	$H_{AG}$ (IN) . . . . .	1.30
	$H_{AG}$ (MM) . . . . .	33.00
VOICE-COIL HEIGHT:	$H_{VC}$ (IN) . . . . .	0.31
	$H_{VC}$ (MM) . . . . .	8.00
MAXIMUM EXCURSION:	$X_{MAX}$ (IN) . . . . .	0.49
	$X_{MAX}$ (MM) . . . . .	12.50

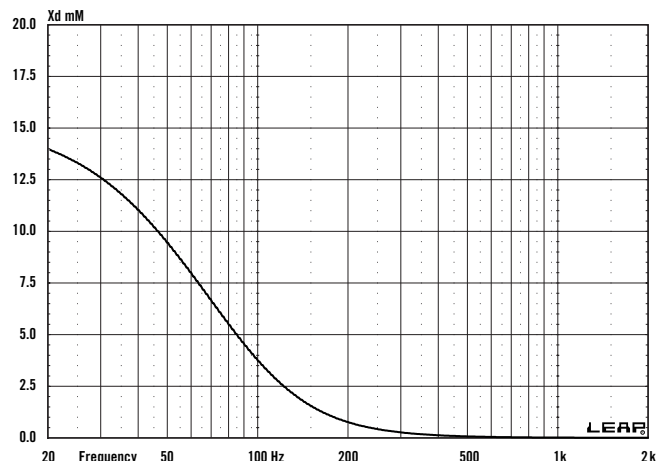
## SEALED BOX VOLUME (INCLUDES DRIVER DISPLACEMENT)



## SEALED FREQUENCY RESPONSE @ 2.83 V



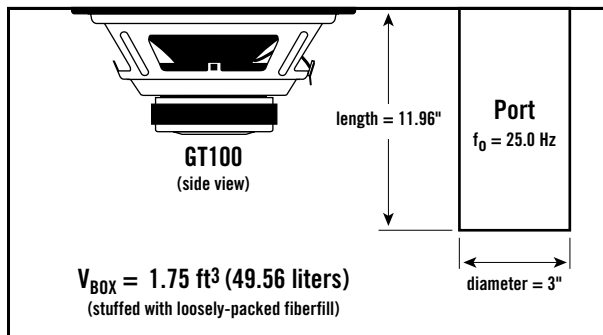
## SEALED TRANSDUCER EXCURSION @ 250 W



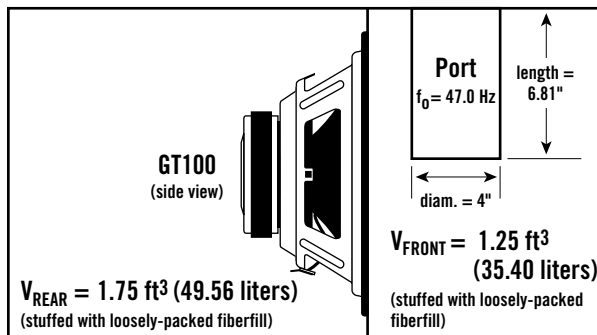


# GT100 10" Woofer – Technical Data

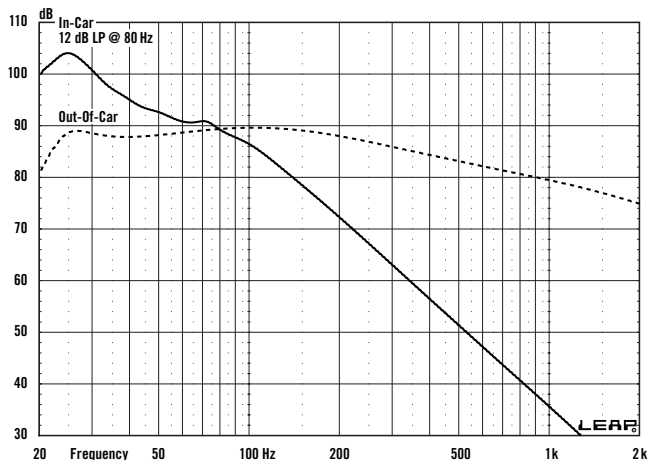
## VENTED BOX VOLUME (INCLUDES DRIVER/PORT DISPLACEMENTS)



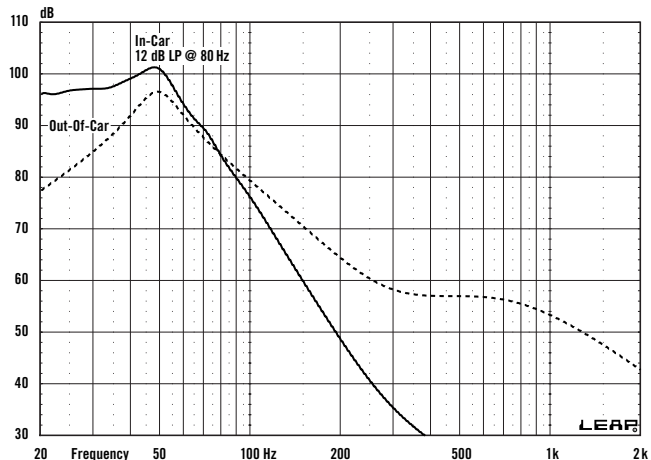
## SEALED BANDPASS BOX VOLUME (INCLUDES DRIVER/PORT DISPLACEMENTS)



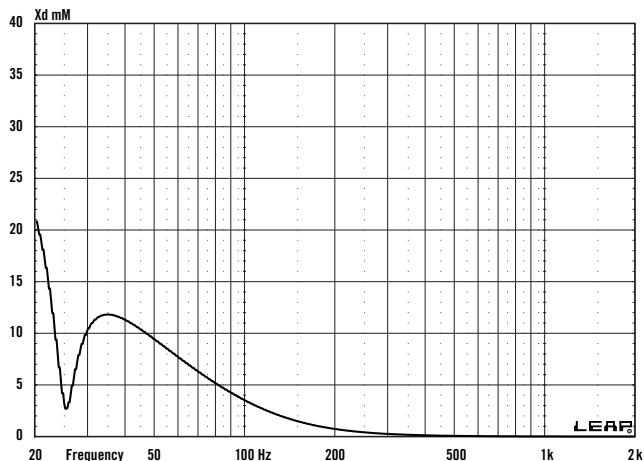
## VENTED FREQUENCY RESPONSE @ 2.83 V



## SEALED BANDPASS FREQUENCY RESPONSE @ 2.83 V



## VENTED TRANSDUCER EXCURSION @ 250 W



## SEALED BANDPASS TRANSDUCER EXCURSION @ 225 W

